

Covert/Overt Position Lights

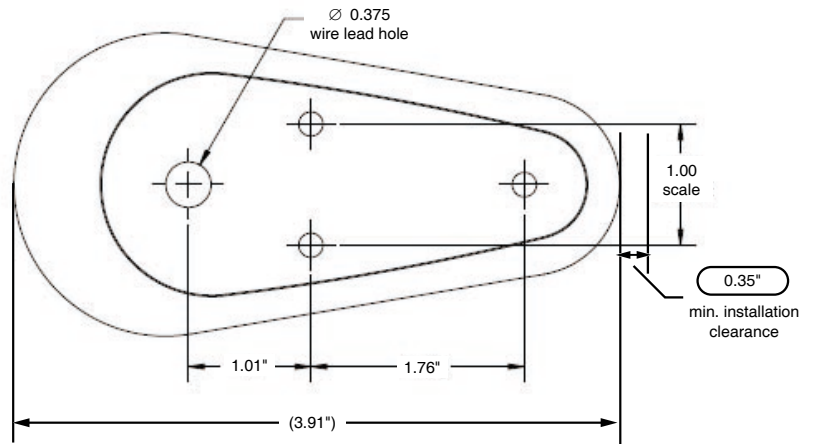
Interface's LED position light installation set consists of three lights: red on the left side of the aircraft, green on the right side, and white on the tail. Designed for use on both fixed wing and rotary aircraft, this covert/overt light set is a form, fit, and function replacement for existing incandescent light sets. The design utilizes the single wire connection and footprint of the current installation, and decodes the covert/overt signal from the crew station switch. Utilizing LED technology provides a higher MTBF of 50,000 hours and low-maintenance operation.



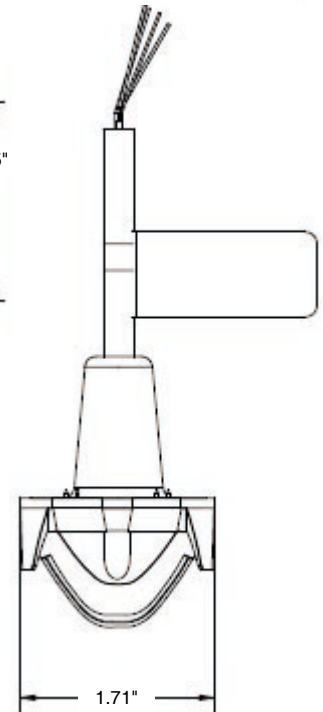
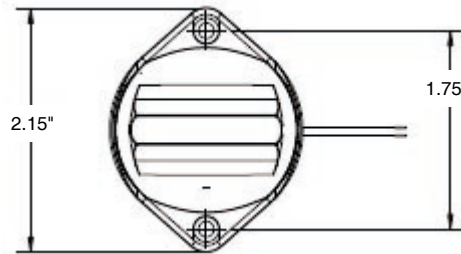
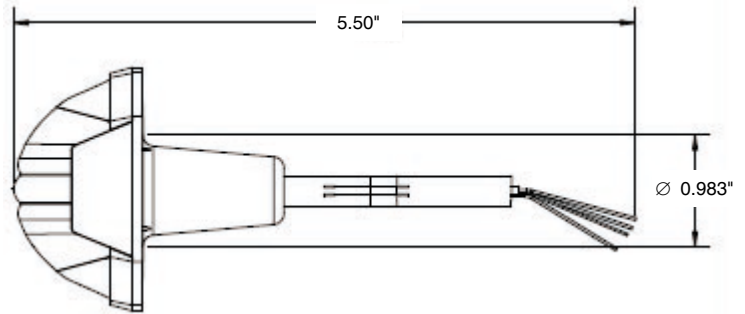
Navigation Light Features	
Part Numbers	19750-02 (left/red light)
	19800-02 (right/green light)
Voltage Range	9-36 V DC
Current Draw (Covert / Overt)	0.5A @ 14 V 0.25A @ 28 V
Power Consumption	7 Watts
Dimmable	To 5% maximum intensity
Thermal Protection	Built-in
Light Output	Covert / IR > 4 mW/sr
	Overt / Visible > 100 Candela
Light Colors	Red / Green
Weight	4 ounces
Dimensions	4" H x 1.85" W x 1.5" D
Heat Sink Material	Clear anodized aluminum
Lens Material	Polycarbonate
Temperature Range	-55°C to +70°C
Light Unit MTBF	50,000 hours

continued on page 2 ...

Navigation (Left/Right) Light



Tail Light



Tail Light Features

Part Number	19850-02
Voltage Range	9–36 V DC
Current Draw (Covert / Overt)	0.5A @ 14 V 0.25A @ 28 V
Power Consumption	7 Watts
Dimmable	To 5% maximum intensity
Thermal Protection	Built-in
Light Output	
Covert / IR	> 4 mW/sr
Overt / Visible	> 100 Candela
Light Color	White
Weight	3 ounces
Dimensions	2.15" H x 1.7" W x 2.61" D
Heat Sink Material	Clear anodized aluminum
Lens Material	Polycarbonate
Temperature Range	-55°C to +70°C
Light Unit MTBF	50,000 hours

Mounting Dimensions

