

Multi-Function Display (MFD)

The Multi-Function Display is compatible with COTS operating systems (Windows® XPe and Windows 7), and the 5.7" color AMLCD and keypad lighting can be configured for NVIS operation. Keypad and annunciator legends can be easily modified to customer-specific applications. Standard interfaces include MIL-STD-1553, RS-422, Ethernet, RS-232, and USB. ARINC 429 interfaces can be supported by adding PC-104/PC-104+ modules.



General Data

Part Number	19600-01
Voltage	28 V DC @ 2.5 amps (typical)
Mechanical Interface	DZUS® rail mount per MS-25212
Switches	SP/ST, full alphanumeric
Cooling	Natural convection

Embedded PC Capability

CPU	x86 architecture
Memory (expandable)	System DRAM 256 MB – 1 GB
	Solid-state hard disk 4–16 GB
Interrupts	7 direct memory access channels
Communication Ports	Up to 4 PC-compatible COM ports (USB, RS-422, RS-232)
	Single-channel, dual-redundant MIL-STD-1553

Electro-Optical

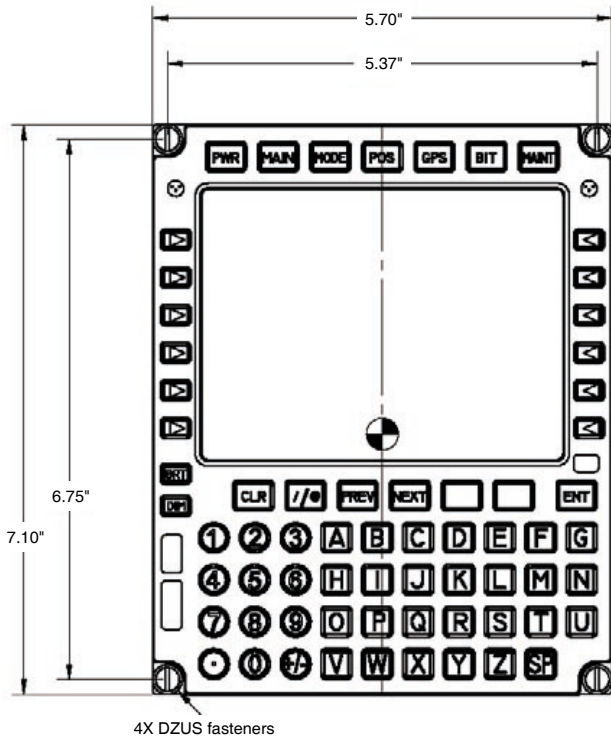
Panel Type	Full-color active matrix LCD
Panel Diagonal	5.7 inches
Display Mode	Color, sync on green
Resolution	640 x 480
Viewing Angle	60° horizontal / 40° vertical

Environmental

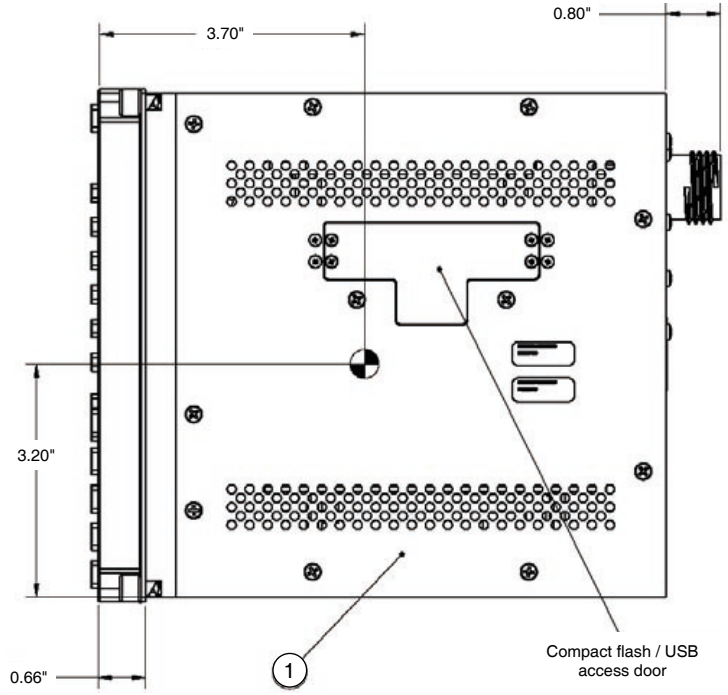
Operating Temperature	-40°C to +71°C (with heater)
Storage Temperature	-50°C to +80°C
Humidity	95% non-condensing
Altitude	45,000 feet
Vibration	Per MIL-STD-810E, Notice 2, Method 514.4
Shock	6 Gs
EMI / EMC	Per MIL-STD-461
MTBF	>15,000 hours

Growth Options / Upgrades

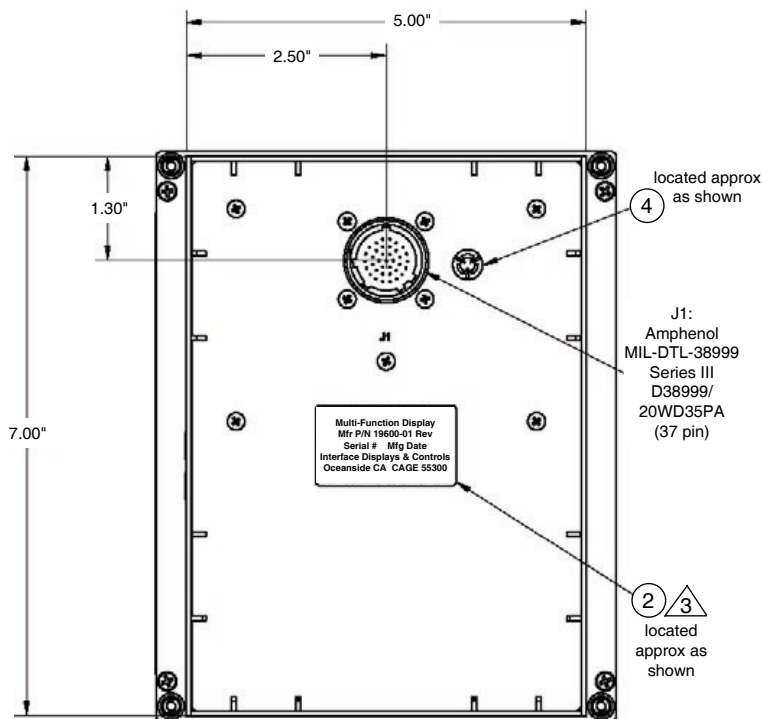
Cooling	Fan / forced air
Operating System Compatibility	Linux, Windows® XPe and Windows 7
Expansion Capability	PC-104 expansion ports (e.g. ARINC 429 card)
	Ethernet



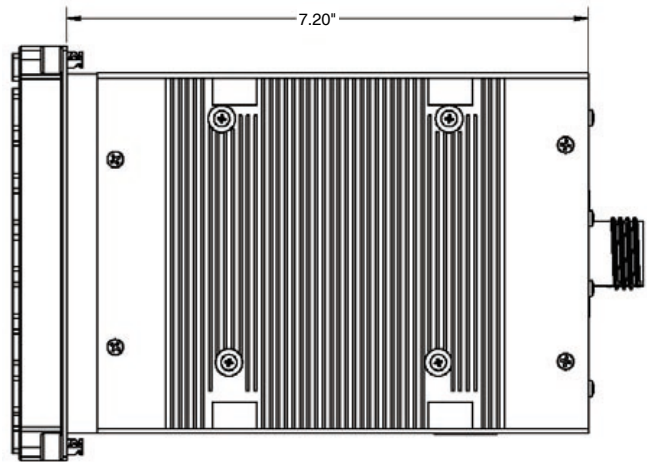
Front View



Side View



Back View



Bottom View